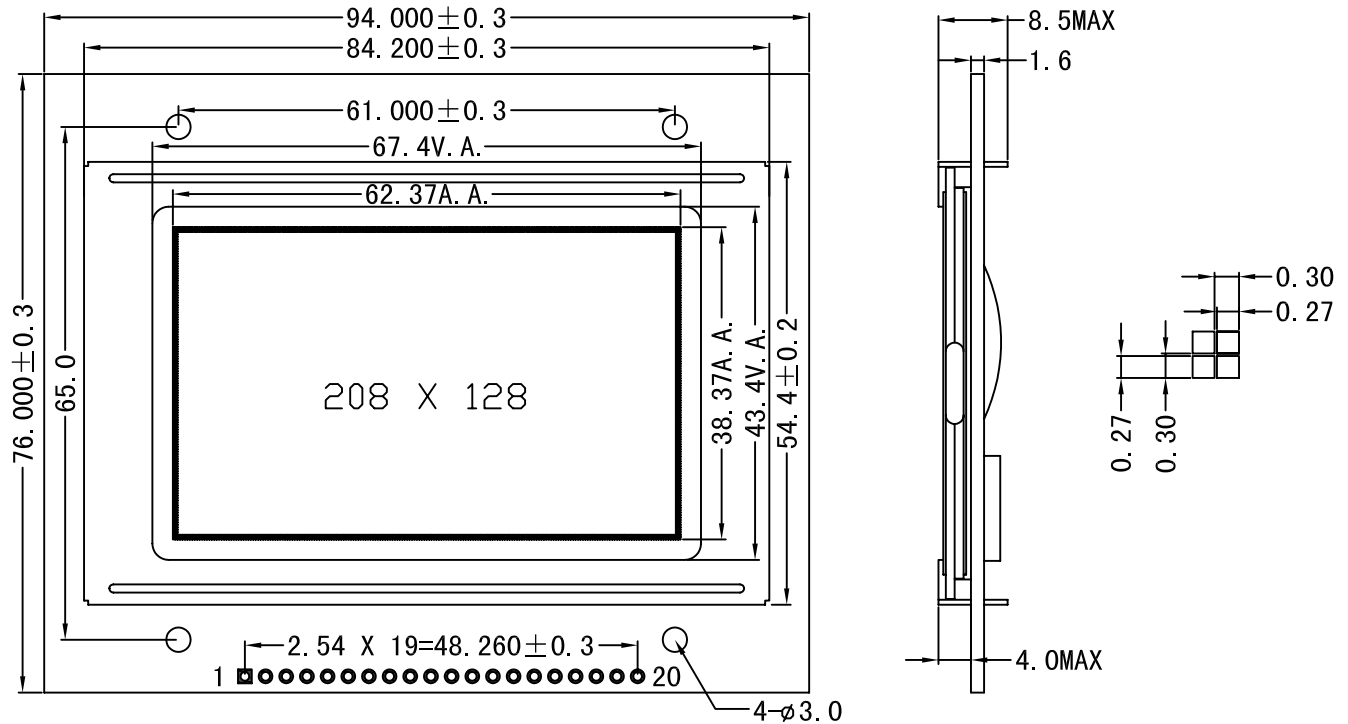


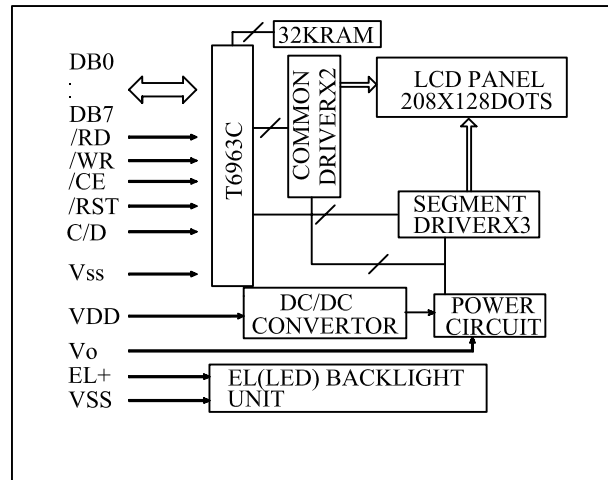
# YXD-208128B

208 X 128 DOTS STN  
1/128 DUTY, 1/12.3 BIAS

## EXTERNAL DIMENSIONS



## BLOCK DIAGRAM



## PIN CONFIGURATION

1	2	3	4	5	6	7	8	9	--	16	17	18	19	20
VSS	VDD	V0	/WR	/RD	/CE	C/D	/RST	DB0	--	DB7	FS	EL+	NC	NC
0V	5.0V	-8.8V	L	L	L	H/L	L	H/L	H	5.0V	NC	NC	NC	NC

MECHANICAL DATA		
ITEM	SPECIFICATION	UNIT
Module Size (WxHxD)	94.0 x 76.0 x 8.5	mm
Viewing Area (W x H)	67.4 x 43.4	mm
Number of Dots	208 x 128	dots
Character Size (WxH)	0.27 x 0.27	mm
Character Pitch (WxH)	0.3 x 0.3	mm

ABSOLUTE MAXIMUM RATINGS				
ITEM	SYMBOL	MIN	MAX	UNIT
Supply Voltage Logic	Vdd-Vss	-0.3	7.0	V
Supply Voltage Driver	Vdd-V0	-0.3	30	V
Input Voltage	Vi	-0.3	Vdd+0.3	V
Operating Temperature	Ta	0	50	° C
Storage Temperature	Tstg	-10	60	° C